

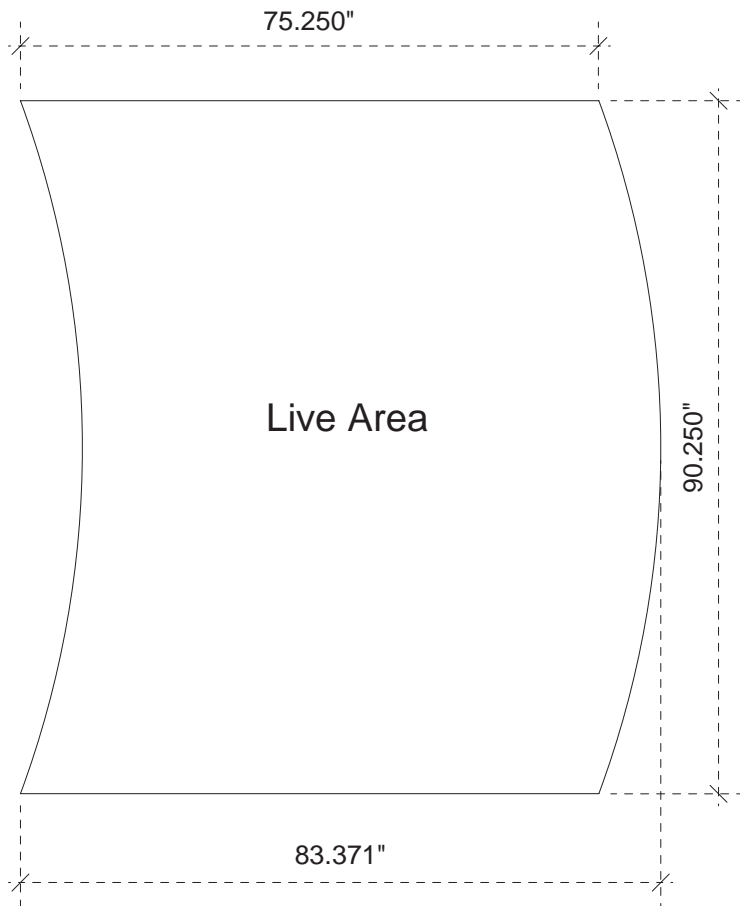
VK-1038 Graphic Dimensions

Tension Fabric Backwall

QTY: 1

Please ADD 1" of bleed to all 4 sides

1/2" Hook Velcro needs to be sewn into all 4 FRONT sides.



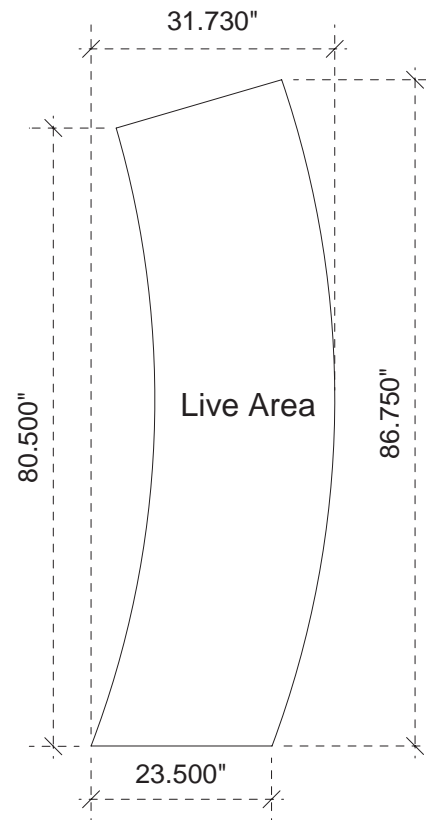
Circle Radius: 130.2281"

Tension Fabric Side Graphic

QTY: 1

Please ADD 1" of bleed to all 4 sides

1/2" Hook Velcro needs to be sewn into all 4 FRONT sides.

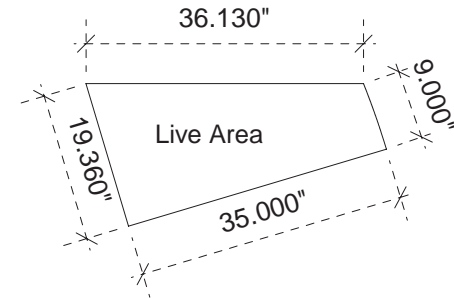


Tension Fabric Header

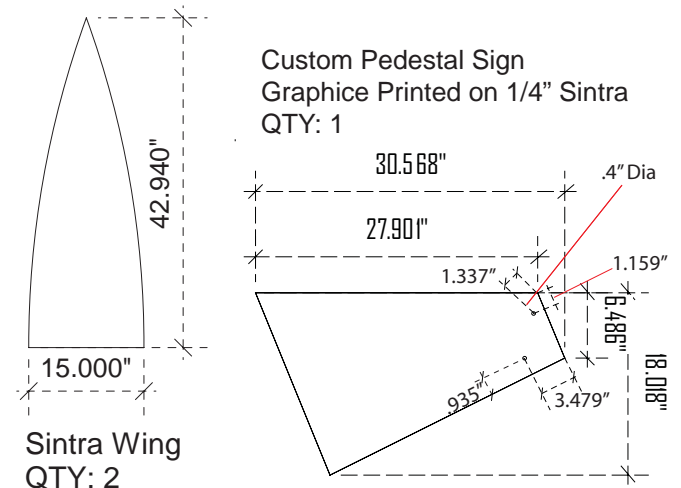
QTY: 1

Please ADD 1" of bleed to all 4 sides

1/2" Hook Velcro needs to be sewn into all 4 FRONT sides.



Custom Pedestal Sign
 Graphice Printed on 1/4" Sintra
 QTY: 1



Sintra Wing
 QTY: 2

NOTE: These dimensions are for graphic layout purposes. Graphic needs to be cut and test fitted to Magellen frame for exact sizes and cuts.